

Serie VCR

Radialventilatoren verschleißt einfache Absaugung

- Backward Blade-Ausführung
- Material: Kohlenstoffstahl (optional Edelstahl)
- Statisch und dynamisch Ausgewuchtet (Qualitätsstufe G 6.3)
- Für saubere oder leicht staubige Luft
- Anwendungsgebiete: Lüftung, Klimatisierung, Lackierkabinen



Drehrichtung - links (CCW)

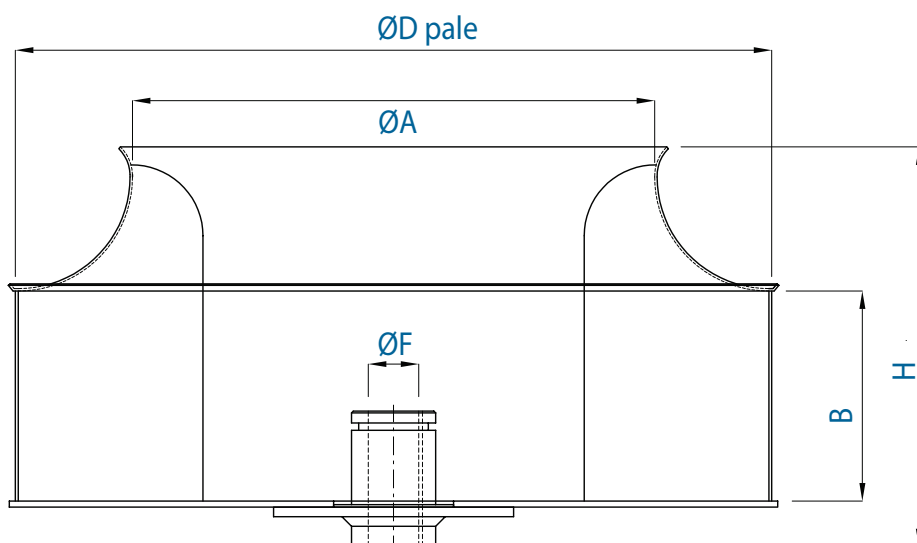
Rotazione antioraria CCW vista lato aspirazione

Articolo	Ø D mm	Ø A mm	Ø F mm	B mm	H (+/-3) mm
VCR280CCW19	280	193	19	76	159
VCR310CCW11	310	217	11	90	182
VCR310CCW24	310	217	24	90	182
VCR350CCW14	350	217	14	95	198
VCR350CCW28	350	217	28	95	198
VCR375CCW28	375	295	28	121	233
VCR400CCW19	400	295	19	121	233
VCR400CCW38	400	295	38	121	233
VCR420CCW19	420	295	19	134	242
VCR420CCW38	420	295	38	134	242
VCR450CCW24	450	295	24	134	242
VCR450CCW42	450	295	42	134	242
VCR475CCW19	475	360	19	132	266
VCR475CCW24	475	360	24	132	266
VCR475CCW42	475	360	42	132	266
VCR500CCW19	500	360	19	132	266
VCR500CCW28	500	360	28	132	266
VCR500CCW42	500	360	42	132	266
VCR530CCW24	530	395	24	164	316
VCR530CCW28	530	395	28	164	316
VCR560CCW24	560	395	24	164	316
VCR560CCW28	560	395	28	164	316
VCR600CCW28	600	435	28	180	335
VCR600CCW38	600	435	38	180	335
VCR630CCW28	630	435	28	180	335
VCR630CCW38	630	435	38	180	335

Drehrichtung - rechts (CW)

Rotazione oraria CW vista lato aspirazione

Articolo	Ø D mm	Ø A mm	Ø F mm	B mm	H (+/-3) mm
VCR280CW19	280	193	19	76	159
VCR310CW11	310	217	11	90	182
VCR310CW24	310	217	24	90	182
VCR350CW14	350	217	14	95	198
VCR350CW28	350	217	28	95	198
VCR375CW28	375	295	28	121	233
VCR400CW19	400	295	19	121	233
VCR400CW38	400	295	38	121	233
VCR420CW19	420	295	19	134	242
VCR420CW38	420	295	38	134	242
VCR450CW24	450	295	24	134	242
VCR450CW42	450	295	42	134	242
VCR475CW19	475	360	19	132	266
VCR475CW24	475	360	24	132	266
VCR475CW42	475	360	42	132	266
VCR500CW19	500	360	19	132	266
VCR500CW28	500	360	28	132	266
VCR500CW42	500	360	42	132	266
VCR530CW24	530	395	24	164	316
VCR530CW28	530	395	28	164	316
VCR560CW24	560	395	24	164	316
VCR560CW28	560	395	28	164	316
VCR600CW28	600	435	28	180	335
VCR600CW38	600	435	38	180	335
VCR630CW28	630	435	28	180	335
VCR630CW38	630	435	38	180	335



Vista da lato aspirazione

